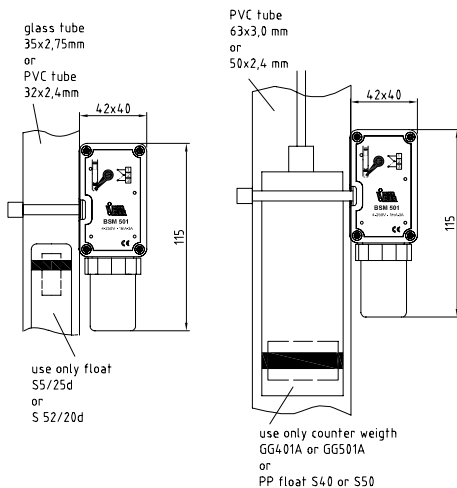


Bistable Switch **BSM501**



Safety Precautions

- **Assembly, commissioning and servicing may only be performed by specialist personnel!** Applicable European and national regulations for erection of electric systems must be complied with.
- **Connect the device only to voltage indicated in the technical data and on the nameplate.**
- **In case of assembly or maintenance work, the device must be disconnected from all currents!**
- **Operate the device only under the conditions defined in the operating instructions!**



Attention!

- **Do only use IER-floats or -counterweights**
- **Do not open up the casing!**
- **Set magnet rocker with a magnet to correct position before placing into service (see drawing on the plate).**
- **The cable plug must always point down.**
- **Always install float or counterweight with „TOP“ sign upside**
- **Welded stainless steel tubing is magnetic. Use only drawn, seamless tubing in order to prevent loss of magnetic strength.**
- **Do not mount or store the switch near strong magnetic fields or ferromagnetic parts such as steel bars, frames or parts of steel tanks.**



IER Meß- und Regeltechnik GmbH
Innstrasse 2
68199 Mannheim

Tel. +49 (0)621 84224-0 • Fax: +49 (0)621 84224-90
e-Mail: info@IER.de • Internet: www.IER.de

Technical data

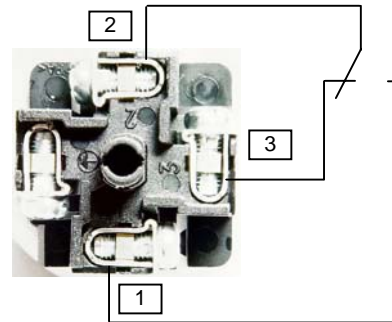
Switching principle:
magnetic actuated micro switch with change over contact

Rated voltage:
4V ... 250V AC, 4V ... 30V DC

Rated current:
1 mA ... 3 A (AC u. DC)

Please note!

The bistable switch has been designed for use in applications with 1 mA to 3 A at 4 to 250 V. However, the switch may only be used with a single circuit type for the entire duration of its service life!



Connection: Contact position while float is in lower position

Contact position: (terminal 2 = root)
Below Lower Limit: 2 - 3 closed / 2 - 1 open
Above Upper Limit: 2 - 1 closed / 2 - 3 open

Electrical connection:
3-pole cable plug acc. DIN EN 175301
(often used for solenoid valves), with PE terminal

Max. cable cross section: 1,5 mm²
min. distance between two switching points:
40 mm, (turn contacts at tube at least 120°)

Max. liquid temperature:
+ 115° C

Ambient temperature:
-20 ... + 90° C

Housing:
IP 65 acc. EN60 529

CE- labels:

In accordance with Low Voltage Guidelines (72/23/EEC),
EMV Guidelines (89/336/EEC)

Use in potentially explosive atmospheres:

In accordance with EN 50 020, section 5.4, the BSM 501 bistable switch is a simple apparatus without its own source of ignition. As such it is not included in the range of applications specified in directive 94/9/EC (ATEX).

Simple apparatus can be set up in category 1 (zone 1), and category 3 (zone 2) potentially explosive atmospheres.

Power supply must be intrinsically safe, i.e. the bistable switch must be connected via a Zener barrier or an approved buffer amplifier.

Certification or identification of simple apparatus is not required by the EC directive.